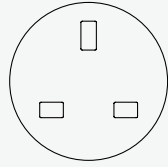
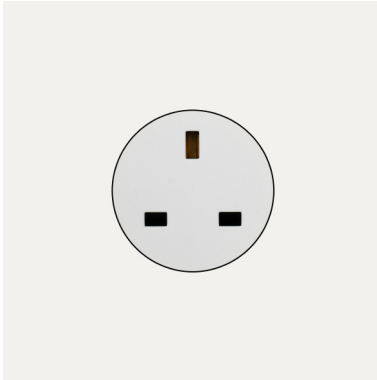
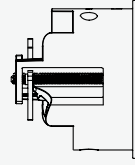


sockets

unifit wireless | socket type G



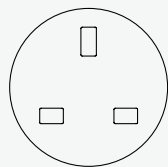
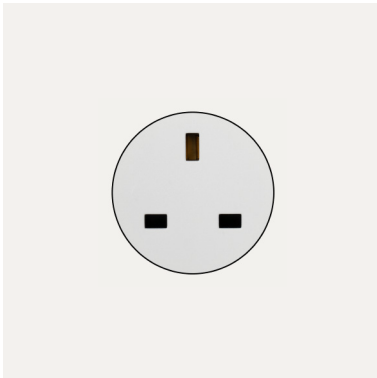
— Ø49mm —



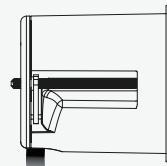
— 42mm —

type	type G
application	wood, veneer and stone
cabling	screw-terminals, back box required
cover plate <small>(not incl.)</small>	black cream white
back box depth	minimum 35mm
removable	without tool, always accessible
installation hole	Ø44
price	£59 + 9 excl. VAT <small>(socket + cover plate)</small>

unifit wired | socket type G



— Ø49mm —

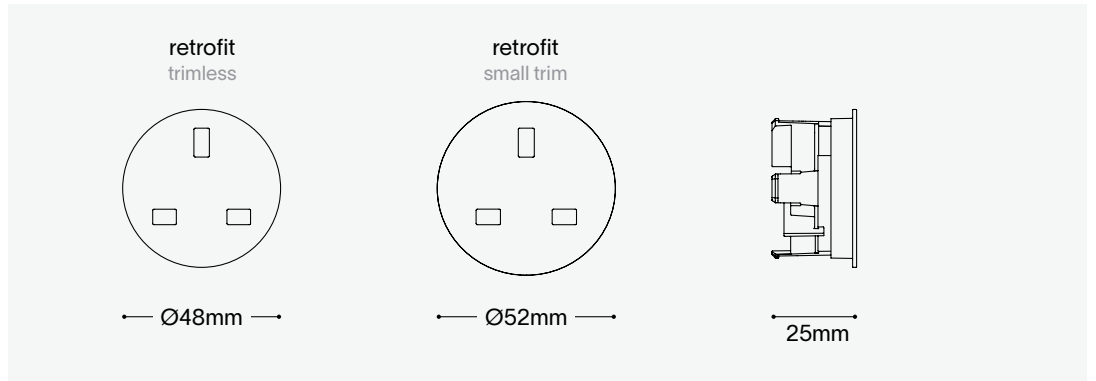
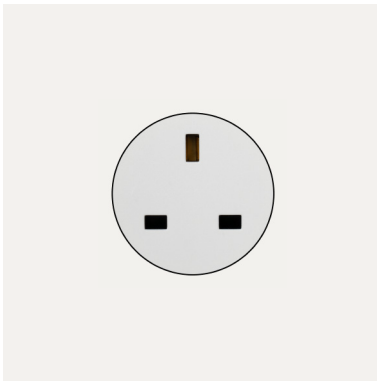


— 51mm —

type	type G
application	wood, veneer and stone
cabling	comes with a 1.5m cable and type G plug
cover plate <small>(not incl.)</small>	black cream white
back box depth	no back box required
removable	without tool, always accessible
installation hole	Ø44
price	£79 + 9 excl. VAT <small>(socket + cover plate)</small>

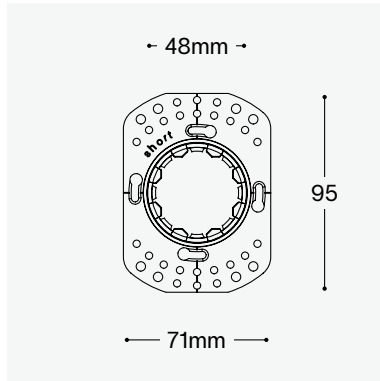
sockets

retrofit | socket type G



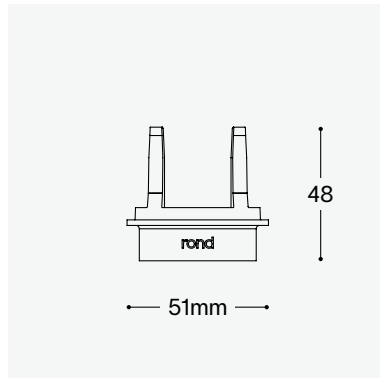
type	type G		
application	plastered walls		
variants	trimless Ø48mm	small trim Ø52mm	
cover plate <small>(not incl.)</small>	black	cream	white
removable	by tool, always accessible		
price	£39 + 9 excl. VAT <small>(socket + cover plate)</small>		

retrofit plaster ring short | optional



compatibility	retrofit socket type G
fits in	universal back boxes
back box depth	minimum 25mm recommended ≥ 35mm
installation hole	Ø68mm
price	£9 excl. VAT

removal tool | optional



compatibility	retrofit socket type G
price	£9 excl. VAT